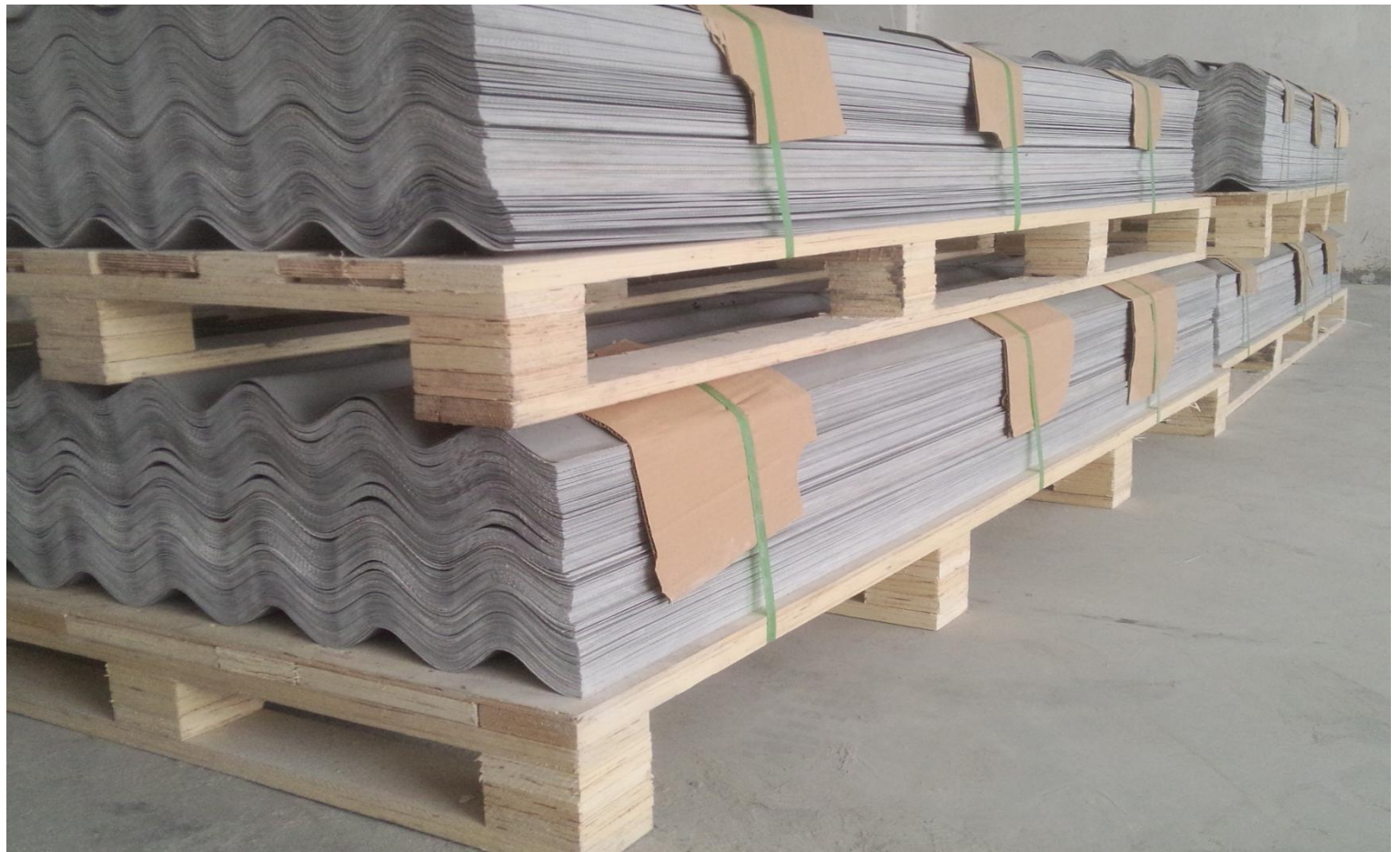
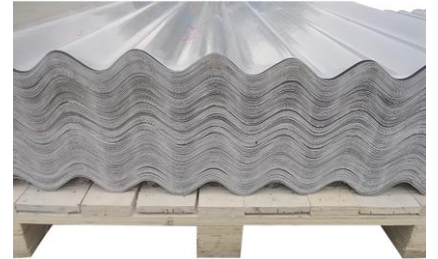


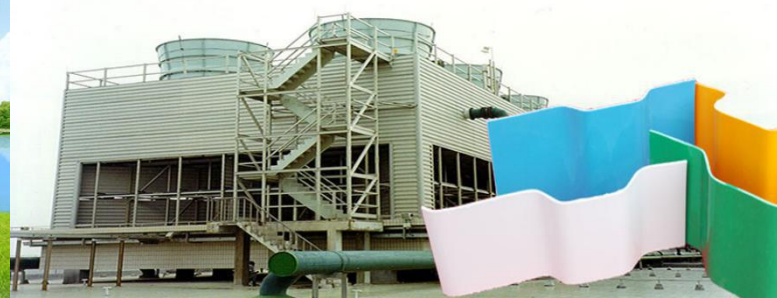
# FRP corrugated panel



## More detail



## Application

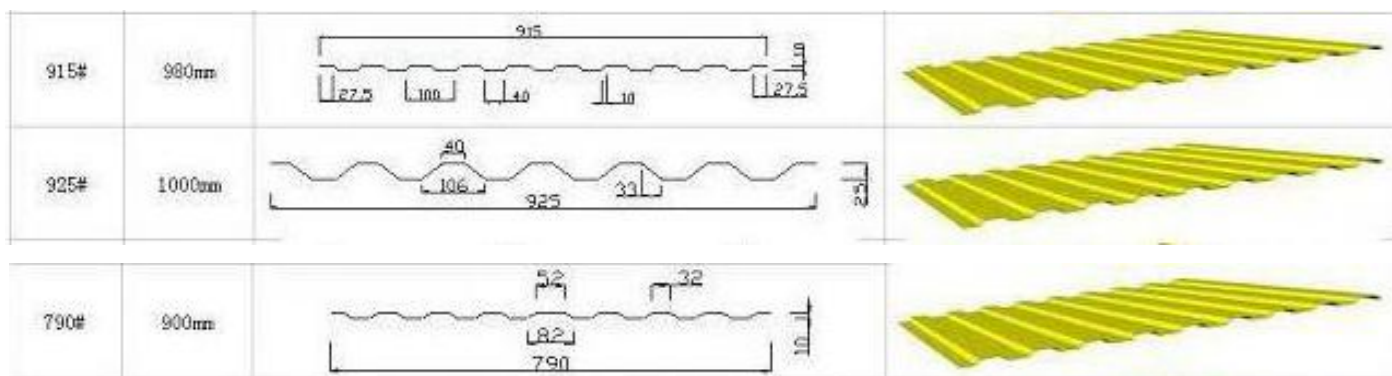
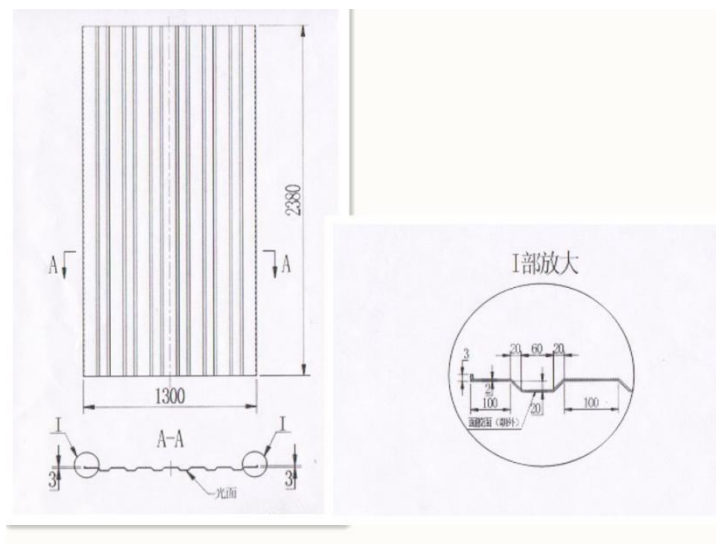
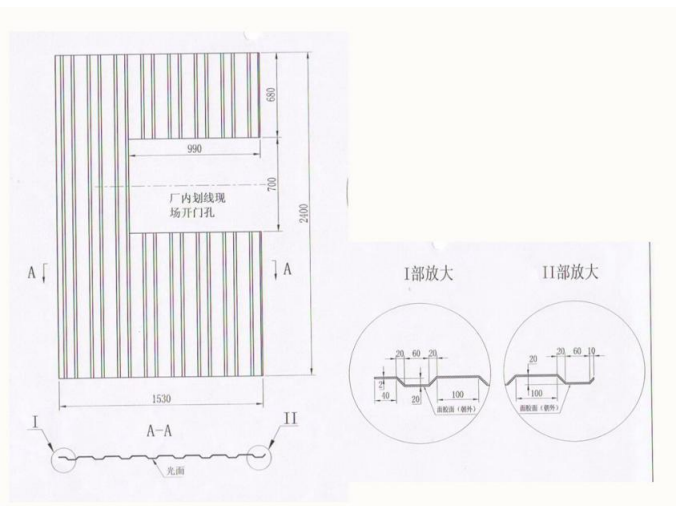


2.0mm

## Technical parameters

Number	Item	Standard	Unit	Result
1	Bending Strength	GB/T1449-2005	Mpa	135
2	Tensile Strength	GB/T1447-2005	Mpa	121
3	Compressive Strength	GB/T1448-2005	Mpa	136
4	Shearing Strength	GB/T1450.2-2005	Mpa	91
5	Barcol hardness	GB/T3854-2005	-	35
6	Resin Content	GB/T2577-2005	%	51
7	water absorption	GB/T1462-2005	%	0.187
8	Impact strength	GB/T1451-2005	kJ/m <sup>2</sup>	103

## Drawing (The regular)



## The customized

